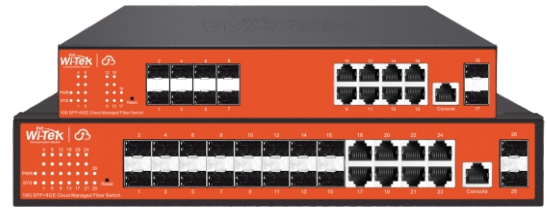


Cloud L2 Management Fiber Aggregation Switch

WI-CGS5018 | WI-CGS5026



Overview

Wi-Tek Cloud Switch provides a more efficient, simple, secure and easy-to-use remote management method, which facilitates the convenience of management and maintenance. Wi-Tek Cloud Switch supports intelligent deployment, automatic configuration of networking, abnormal alarms and other functions. Without the need for professional IT operation and maintenance personnel, newbie can easily get started. Besides, it supports flexible 802.1Q VLAN, port aggregation, QoS, and bandwidth control. Wi-Tek Cloud Switch is the cost-effective network solution for the ideal small and medium business.

Features

Flexible VLAN Division

In the enterprise office network, in order to isolate network access between different departments to avoid PCs infected by virus affecting the entire network, it is necessary to divide the interior into different VLANs to isolate the broadcast domain and improve the stability of the network. Wi-Tek Cloud Switch provides a convenient and flexible way to divide VLANs, allowing you to assign the ports to different VLANs as needed. Users in different VLANs do not affect each other, creating more stable network for the users.

Network Quality Guarantee

To integrate voice, data and video service on one network, the switch applies rich QoS policies. Administrator can designate the priority of the traffic based on a variety of means including Port Priority, 802.1P Priority and DSCP Priority, to ensure that voice and video are always clear, smooth.

High Reliability

Support STP/ RSTP/ MSTP Layer 2 protection technology to ensure the stability of the local area network and include a backup connection to prevent when a working line fails, automatically provide a backup path to ensure that the local network is online for a long time, and network administrators can also effectively suppress broadcast storms through IGMP Snooping technology.

Cloud Management

Wi-Tek Cloud Switch not only supports web interface and CLI management but also supports Wi-Tek Cloud management. Users can view the monitoring network status, make remote configurations, and troubleshoot anywhere and anytime.

Specifications



Model	WI-CGS5018	WI-CGS5026
Hardware Features		
Interfaces		
Downlink Ports	8*10/100/1000Mbps RJ45 Ports	8*10/100/1000Mbps RJ45 Ports
Uplink Ports	10* 1000Mbps SFP Slots	18*1000Mbps SFP Slots
Management Port	1 Console port	1 Console port
Performance		
Memory and Flash	128MB DRAM 16MB Flash	
Switch Property		
Standards and Protocols	IEEE 802.3i, IEEE 802.3u, IEEE 802.3ab, IEEE 802.3z, IEEE802.1D, IEEE802.1W, IEEE802.1S, IEEE802.1Q, IEEE802.3ad, IEEE802.1X, IEEE802.1p	
Forwarding Mode	Store and Forward	
Switching Capacity	36Gbps	52Gbps
Packet Forwarding Rate	26.78Mpps	38.69Mpps
MAC Address Table	8 k	
Jumbo Frame	10 kB	
Power Supply		
Input Power	AC 100–240V, 50/60Hz	
Power Consumption	Idle: 115V 60Hz–25W 230V 50Hz–24.9W	Idle: 115V 60Hz–41.6W 230V 50Hz–40.5W
Physical Characteristics		



Model	WI-CGS5018		WI-CGS5026	
LED Indicators	<p>PWR Indicator:</p> <p>On: the device power on is normal</p> <p>Off: the device is power off or failed</p> <p>Sys Indicator:</p> <p>Off:The system is being started or abnormal</p> <p>Blinking:The system is working normally</p> <p>For WI-CGS5018</p> <p>LNK/ACT Indicator (port 1–18):</p> <p>On: Port connected</p> <p>Off: Port disconnected</p> <p>Blinking: Data transmission.</p> <p>For WI-CGS5026</p> <p>LNK/ACT Indicator (port 1–26):</p> <p>On: Port connected</p> <p>Off: Port disconnected</p> <p>Blinking: Data transmission.</p>			
Buttons	Reset:Reset: Hold for >5 sec. to restore factory default.			
Fan Quantity	1			
Dimensions (W*D*H)	280*180*44mm		283*180*44mm	
Weight	Net Weight: 1.6kg Package Weight: 2.5kg		Net Weight: 1.7kg Package Weight: 2.55kg	
Installation	Rack-Mounted			
Reliability	Surge Immunity		Differential mode: 6kV Common mode: 2kV	
	ESD Protection		Contact discharge: 6kV Air discharge: 8kV	
Operating Temperature	0 ~ 40 °C (–40 ~ 104°F)			
Storage Temperature	–40 ~ 70 °C (–40 ~ 158°F)			
Operating Humidity	10%–90% RH non-condensing			
Storage Humidity	5%–90% RH non-condensing			
Certification				
Certification	CE, FCC, RoHS, UKCA, RCM			



Model	WI-CGS5018		WI-CGS5026	
Software Features				
Spanning Tree	IEEE 802.1D – STP			
	IEEE 802.1w – RSTP			
	IEEE 802.1s – MSTP			
	BPDU Guard			
VLAN	VLAN Group (Max 4K VLAN Groups)			
	Voice VLAN			
	Protocol VLAN			
	MAC VLAN			
	Surveillance VLAN			
	Q- in-Q			
	GVRP			
Port	Link Aggregation		LACP	
			Static	
			Up to 8 aggregation groups and up to 8 ports per group	
	EEE			
	Jumbo Frame			
	Error- Disable			
	Port mirroring		One-to-One	
			Many-to-One	
			Tx/Rx/Both	
	Loop Detection		Port based	
VLAN based				



Model	WI-CGS5018	WI-CGS5026
ACL	MAC ACL	Source MAC
		Destination MAC
		Ether Type
		VLAN ID
		User Priority
		802.1p
	IPV4 ACL/IPV6ACL	Source IP
		Destination IP
		IP Protocol
		Type of Service
		User Priority
		Source Port
		Destination Port
		ICMP Type
ICMP Code		
TCP Flags		
Security	RADIUS/TACACS+	
	RADIUS Authentication(RFC2138)	
	AAA	Console
		Telnet
		SSH
		HTTP
	Management Access	HTTPS
		Management Service
	Management Access	Management ACL



Model	WI-CGS5018	WI-CGS5026	
Security	Authentication Manager	802.1X	
		MAC-Based	
		WEB-Based	
		Guest VLAN	
	Broadcast Storm	Broadcast	
		Unknown Multicast	
		Unknown Unicast	
	Kbits/Packet control mode		
	Protected Port		
	Port Security		
IP Source Guard			
Dynamic ARP Inspection			
QoS	8 priority queues		
		802.1p CoS/DSCP priority	
	Queue scheduling		SP (Strict Priority)
			WRR (Weighted Round Robin)
		SP+WRR	
	IP Precedence Mapping		
Rate Limit	Ingress / Egress Port		
	Egress Queue		



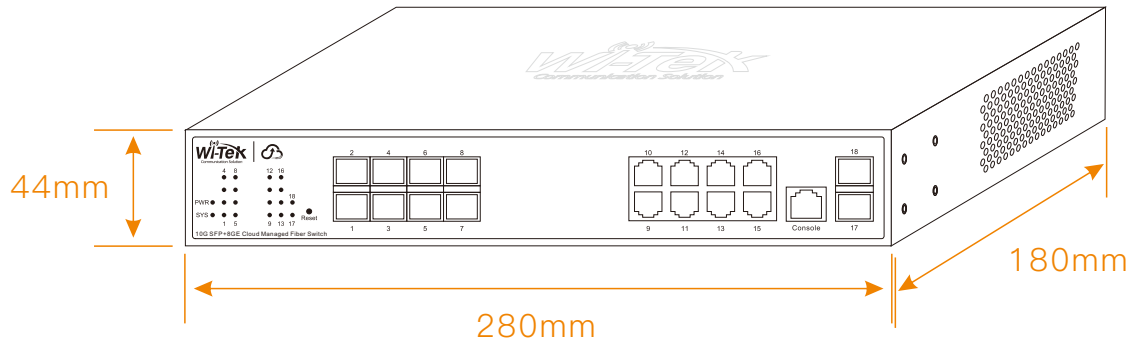
Model	WI-CGS5018	WI-CGS5026
L2 Multicast	Multicast	Group Address
		Router Port
		Forward All
		Throttling
	IGMP Snooping	Filtering Profile
		IGMP Statistics
		IGMP Querier
	MLD Snooping	IGMP Snooping v2/v3
		MLD v1/v2 Snooping
	MVR	MLD Snooping Statistics
		Property
		Port Setting
IPV6	Group Address	
	Ipv6/IPv4	
	Ipv6 Web/SSL	
	Ipv6 SNTP	
	Ipv6 Telnet/SSH	
	Ipv6 Ping/Traceroute	
	Ipv6 TFTP	
	Ipv6 RADIUS/TACACS+	
Ipv6 SNMP		



Model	WI-CGS5018	WI-CGS5026
Management	Web-based GUI	
	Command Line Interface (CLI) through the console port, telnet	
	SNMP (v1 , v2c , v3)	
	Trap/Inform	
	RMON (1 , 2 , 3 & 9)	
	Firmware Upgrade	
	Configuration Export/import	
	System Log	
	LLDP (IEEE802.1AB)	
	LLDP- MED	
	UDLD	
	DNS Client	
	Traceroute	
	Advanced Features	ONVIF (ONVIF Detection , ONVIF Server(NLM))
Batch Firmware Upgrading		
Intelligent Network Monitoring		
Abnormal Event Warnings		
Automatic Device Discovery		
Support Cloud Management		
Support Remote Management		
Support Cloud VLAN Configuration		
Support Topology Display		
Support Cloud Control Port Configuration		

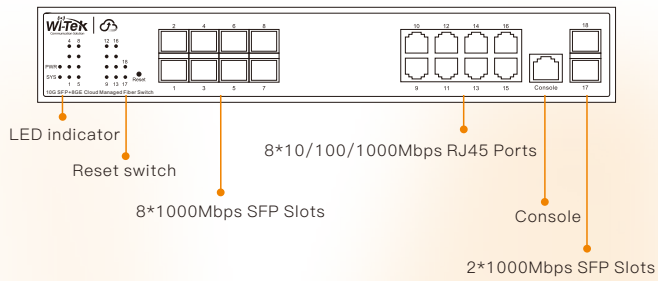
WI-CGS5018

Dimensions (mm)



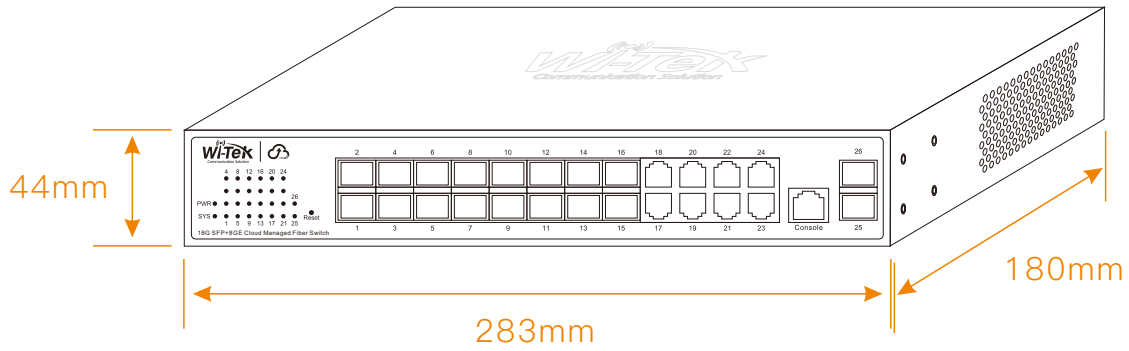
Front Panel

Rear Panel



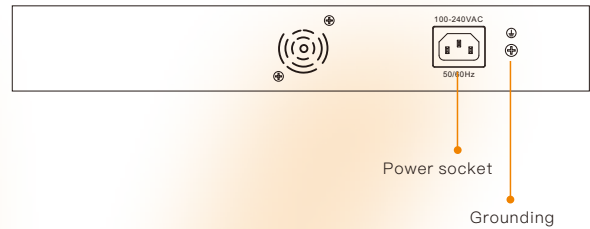
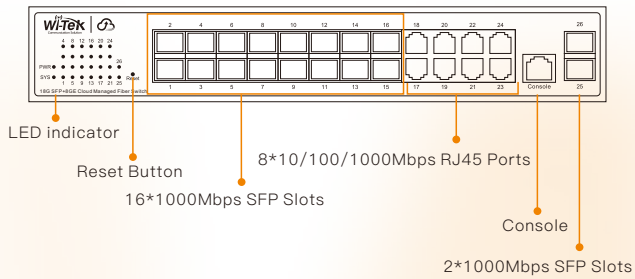
WI-CGS5026

Dimensions (mm)



Front Panel

Rear Panel



Power socket
Grounding

Package Contents

Welcome to order our products. After purchasing, you will receive:

Items	Quantity
Cloud Switch	1 pcs
Quick Installation Guide	1 pcs
Serial line	1 pcs
Power Cord	1pcs
Mounting Accessories	Hook x 2, MATS x 4, Screw x 8



Wireless-Tek Technology Limited

Address: Biaofan Technology Building 402, Bao'an street,
Baoan District, Shenzhen City, Guangdong, China

Website: www.wireless-tek.com

Tel: 86-0755-32811290

Email: sales@wireless-tek.com

Technical Support: tech@wireless-tek.com



Technical Support



Cloud Management



Company Website