

Wi-Tek Cloud Easy smart PoE switch

WI-PCES306G|WI-PCES310GF|WI-PCES318GF|
WI-PCES326GF



Overview

Wi-Tek Cloud Easy smart PoE switch provides simple, safe, and easy-to-use local WEB and remote management methods, supports smart deployment, abnormal alarm, ONVIF automatic identification of network cameras, automatic shutdown of loop ports, etc. Even beginners can easily use it without professional IT operation and maintenance. Wi-Tek Cloud Easy Smart PoE Switch is the best choice for CCTV and SMB network solution.

Features

Support Wi-Tek cloud management

ONVIF cameras and Wi-Tek cloud management devices can be remotely managed through Wi-Tek cloud platform/mobile APP, making CCTV network projects truly intelligent and easy to maintain. You can easily access and manage your cameras from your phone or computer anytime, anywhere.

(The EWEB channel can be created only when the easy smart switch is linked with the other type of Wi-Tek cloud management device, such as cloud L2, L3 management switch, gateway, wireless AP, etc.)

Automatic loop prevention

By default, the switch enables port loop detection. When a loop occurs on the switch, the port which caused the loop will be closed in time to enable the switch to operate properly and maintain service continuity.

Remote Configuration

No need to go to the site to configure. Users can make some remote configurations such as port restart, PoE restart, VLAN division, and even maintenance and debugging can be done remotely anytime and anywhere.

Intelligent Operation and Maintenance

Abnormal alarm can help you locate problems quickly, making your operation and maintenance easier.

Specifications



Model	WI-PCES306G	WI-PCES310GF	WI-PCES318GF	WI-PCES326GF
Interfaces				
Downlink Ports	4*10/100/1000 BASE-T RJ45 ports	8*10/100/1000 BASE-T RJ45 ports	16*10/100/1000 BASE-T RJ45 ports	24*10/100/1000 BASE-T RJ45 ports
Uplink Ports	2*10/100/1000Mbps BASE-T RJ45 ports	2*1000Mbps SFP Slots	2*1000Mbps SFP Slots	2*1000Mbps SFP Slots
PoE				
PoE Port	Port 1-4: 802.3af/at PoE Ports	Port 1-8: 802.3af/at PoE Ports	Port 1-16: 802.3af/at PoE Ports	Port 1-24: 802.3af/at PoE Ports
PoE Standard	802.3af/at			
PoE Power Supply Type	End-span			
PoE Pin Assignment	1/2(+), 3/6(-)			
PoE Power	30W Max. for each port, 60W Max. for PoE power budget	30W Max. for each port, 120W Max. for PoE power budget	30W Max. for each port, 250W Max. for PoE power budget	30W Max. for each port, 370W Max. for PoE power budget
Performance				
Memory and Flash	Memory: 128K DDR3 Flash:16MB			
Switch Property				
Standards and Protocols	IEEE 802.3, IEEE 802.3u, IEEE802.3ab, IEEE 802.3x, IEEE 802.1x, IEEE 802.1q, IEEE 802.1p, IEEE 802.1d, IEEE 802.1w, IEEE 802.3ad, IEEE 802.3af, IEEE 802.3at	IEEE 802.3, IEEE 802.3u, IEEE 802.3ab, IEEE 802.3z, IEEE 802.3x, IEEE 802.1x, IEEE 802.1q, IEEE 802.1p, IEEE 802.1d, IEEE 802.1w, IEEE 802.3ad, IEEE 802.3af, IEEE 802.3at	IEEE 802.3, IEEE 802.3u, IEEE 802.3ab, IEEE 802.3z, IEEE 802.3x, IEEE 802.1x, IEEE 802.1q, IEEE 802.1p, IEEE 802.1d, IEEE 802.1w, IEEE 802.3ad, IEEE 802.3af, IEEE 802.3at	IEEE 802.3, IEEE 802.3u, IEEE 802.3ab, IEEE 802.3z, IEEE 802.3x, IEEE 802.1x, IEEE 802.1q, IEEE 802.1p, IEEE 802.1d, IEEE 802.1w, IEEE 802.3ad, IEEE 802.1p, IEEE 802.3af, IEEE 802.3at

Forwarding Mode	Store and Forward			
Switching Capacity	12 Gbps	20 Gbps	36 Gbps	52 Gbps
Packet Forwarding Rate	8.93 Mpps	14.88 Mpps	26.78 Mpps	38.68 Mpps
MAC Address Table	8k			
Packet Buffer Memory	4.1Mbit			
Jumbo Frame	9 kB			

Power Supply

Input Power	AC 100–240V, 50/60Hz			
Power Consumption	Idle: 3.9W 100% Traffic Rate with PoE: 65 W	Idle: 3.4W 100% Traffic Rate with PoE: 130 W	Idle: 9.1W 100% Traffic Rate with PoE: 250 W	Idle: 11.7W 100% Traffic Rate with PoE: 370 W

Physical Characteristics

LED Indicators	<p>PWR Indicator: On: the device power on is normal Off: the device is power off or failed</p> <p>Link Indicator: Off: No device is connected to the corresponding port. On: Indicates the link through that port is successfully established Blinking: Indicates that the Switch is actively sending or receiving data over that port.</p> <p>PoE Indicator: Off: No PoE powered device (PD) connected. On: There is a PoE PD connected to be port, which supply power successfully. Blinking: Indicates the port is abnormal.</p>	<p>PWR Indicator: On: the device power on is normal Off: the device is power off or failed</p> <p>Link Indicator: Off: No device is connected to the corresponding port. On: Indicates the link through that port is successfully established Blinking: Indicates that the Switch is actively sending or receiving data over that port.</p> <p>PoE Indicator: Off: No PoE powered device (PD) connected. On: There is a PoE PD connected to be port, which supply power successfully. Blinking: Indicates the port is abnormal.</p> <p>SFP Indicator: On: port connected Off: Port disconnected. Blinking:Data transmission</p>
----------------	---	---

Buttons	Hold for >5 sec. to restore factory default.			
Dimensions (W*D*H)	170*99*34mm	222*156*46mm	443*214*47mm	443*214*47mm
Weight	Net Weight: 0.52kg	Net Weight: 1.24kg	Net Weight: 2.4kg	Net Weight: 2.78kg
	Package Weight: 0.83 kg	Package Weight: 1.84kg	Package Weight: 3.09kg	Package Weight: 3.46kg
Installation	Desktop	Rack–Mounted	Rack–Mounted	Rack–Mounted

Environmental

Reliability	Surge Immunity	Common mode $\pm 4kV$ Differential mode $\pm 2kV$
	ESD Protection	Contact discharge $\pm 6kV$ Air discharge $\pm 8kV$
	Operating Temperature	$-10^{\circ}C \sim 45^{\circ}C (14^{\circ}F \sim 113^{\circ}F)$
Storage Temperature	$-20^{\circ}C \sim 70^{\circ}C (-4^{\circ}F \sim 158^{\circ}F)$	
Operating Humidity	10% ~ 90% RH no condensation	
Storage Humidity	5% – 90% RH non–condensing	

Certification

Certification	CE, FCC, RoHS, UKCA, RCM
---------------	--------------------------

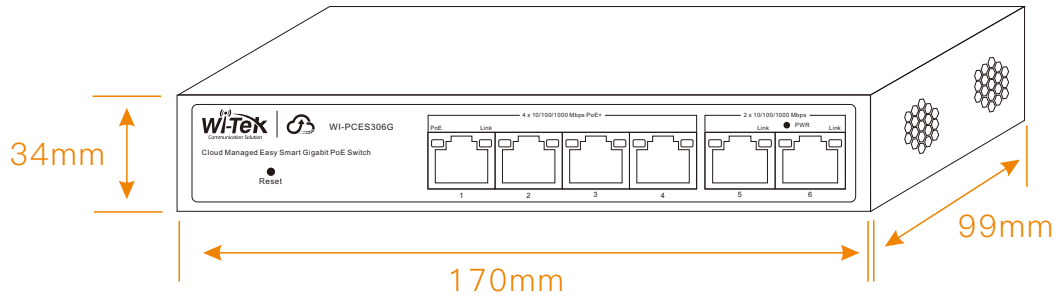
Software Features

System Management	Static IP
	DHCP Client
	Static DNS
	DNS Client
	Web–based Management
	Web Page Software Upgrade
	Cable testing
Security	IP MAC address binding
	MAC Address Filter

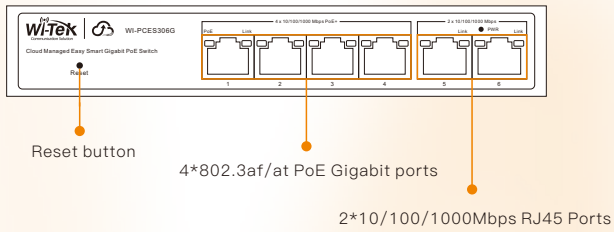
	Loop Prevention
	Loop Disabled Port
	DHCP Snooping
VLAN Settings	Port-based VLAN
	VLAN 16
Port	Port Flow Control
	Broadcast Storm Suppression
	Port Isolation
	Many-to-one Port Mirroring
	QoS
Onvif	Support cloud platform to automatically identify IP cameras
Cloud Management	Support Wi-Tek cloud platform management

WI-PCES306G

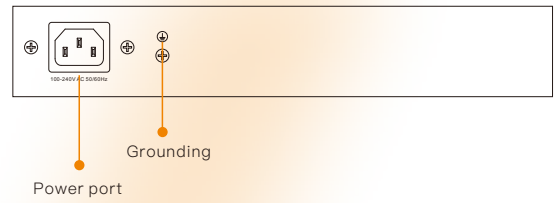
Dimensions (mm)



Front Panel

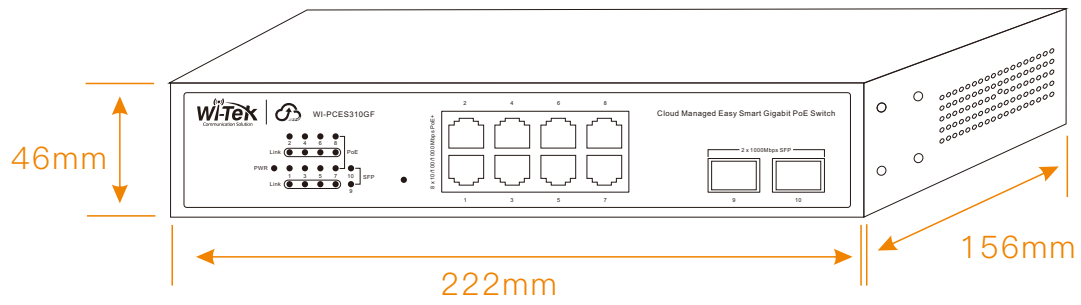


Side Panel



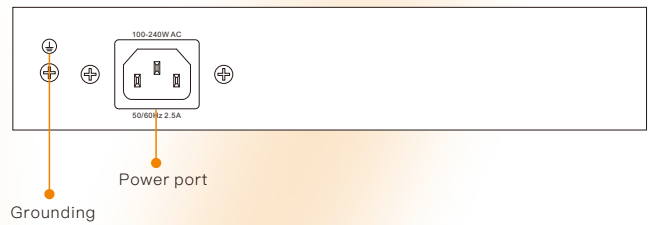
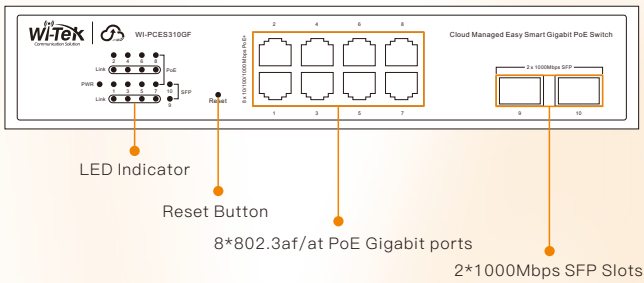
WI-PCES310GF

Dimensions (mm)



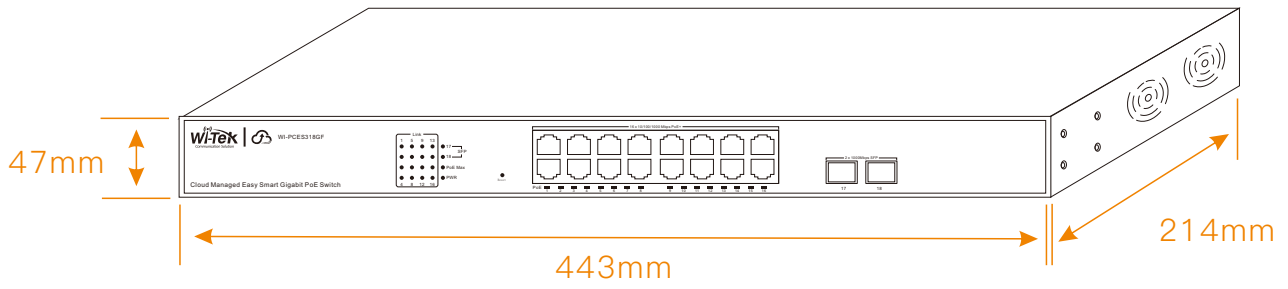
Front Panel

Side Panel



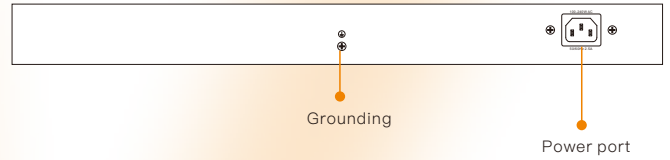
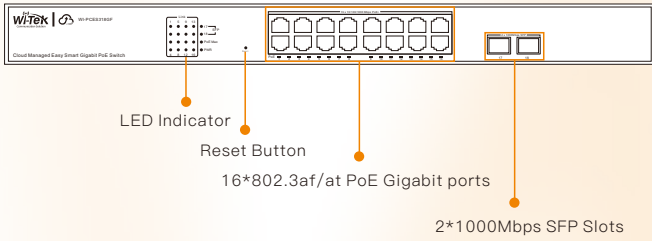
WI-PCES318GF

Dimensions (mm)



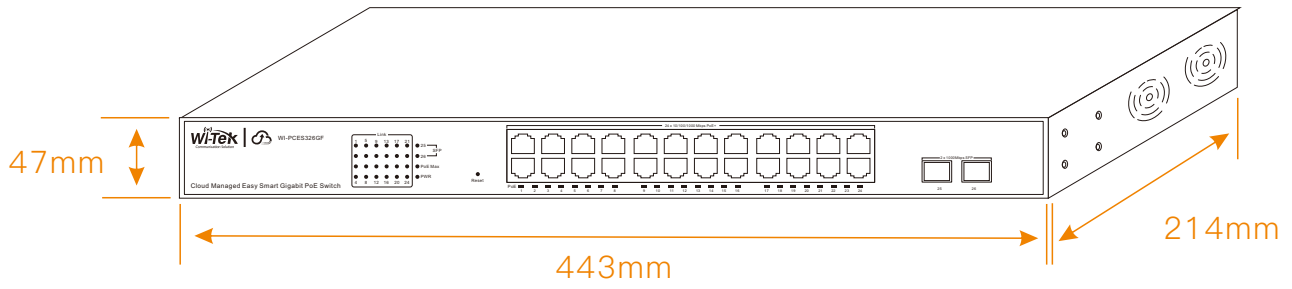
Front Panel

Side Panel



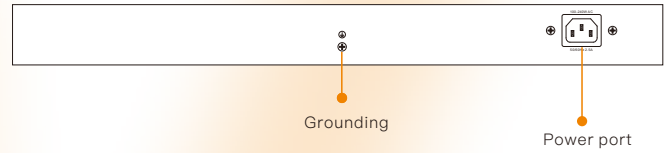
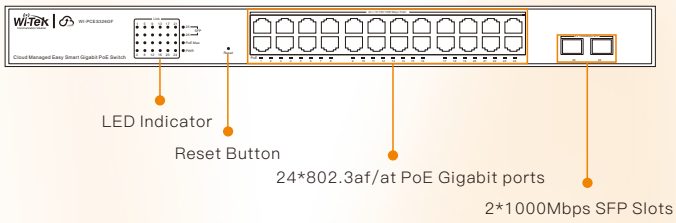
WI-PCES326GF

Dimensions (mm)



Front Panel

Side Panel



Package Contents

Welcome to order our products. After purchasing, you will receive:

WI-PCES306G

Items	Quantity
Switch	1 pcs
Quick Installation Guide	1 pcs
Power Cord	1 pcs
Mounting Accessories	MATS x 4

WI-PCES310GF/WI-PCES318GF/WI-PCES326GF

Items	Quantity
Switch	1 pcs
Quick Installation Guide	1 pcs
Power Cord	1 pcs
Mounting Accessories	Hook x 2, MATS x 4, Screw x 8



Wireless-Tek Technology Limited

Address: Biaofan Technology Building 402, Bao'an street,
Baoan District, Shenzhen City, Guangdong, China

Website: www.wireless-tek.com

Tel: 86-0755-32811290

Email: sales@wireless-tek.com

Technical Support: tech@wireless-tek.com



Technical Support



Cloud Management



Company Website